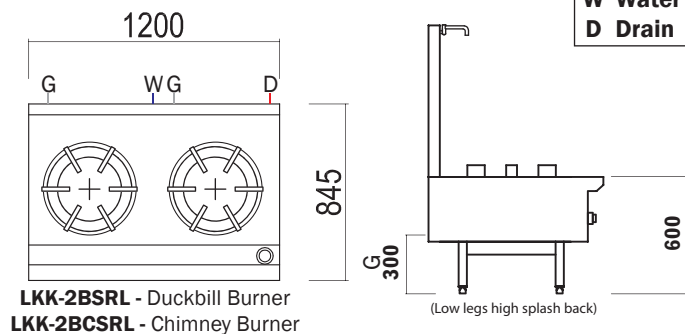
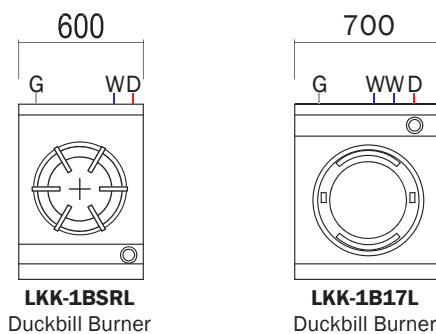


G Gas Inlet
W Water Inlet
D Drain



Technical Specifications:

The appliance installation must comply with the installation & ventilation requirements of AS/NZS5601.1, Australian Standard, "Gas Installations" any local Authority regulation and the Manufacturer's installation instructions.

Warning: DO NOT install LKK Waterless Wok & Stockpot burners in marine environment such as on a boat or outdoors in sea breeze. Due to the salt in marine environment, it may cause unnecessary rusting to the appliance.

Inlet Connections: Water ½" (15mm)
Gas ¾" (20mm)

Drainage: 2" (50mm) Located back of unit. Left hand side when looking from the back.

Installation:

Gas point entry is 520mm from floor for Wok Burners.
300mm from floor for Stockpot Burners.
Located on the right hand side of the appliance at the rear of the unit.
A regulator is supplied with the unit for each burner.
Maxitrol, RV48 AGA#3088 (Natural Gas)
Maxitrol, RV48 AGA#3088 (L.P.G)

MUST be installed by a certified Gas Fitter or Plumber.

Commissioning:

Upon installation, the installer **MUST** commission the regulator to the required pressure as stated on dataplate. Failure to do so will result in under performance of appliance & void in warranty.

Trouble Shoot:

If any of the following problems persist, pilot not lighting, gas or water leak, please call LKK for more information. A gas **certificate of compliance on completion** of all gas installation work on LKK Food Equipment may be required to be sited upon carrying out warranty work. Unlicensed gas work is illegal and will not be covered under warranty. LKK reserves the right to report any illegal gas work.

LKK Food Equipment Ltd (NZ)

Phone: 09 837 2960 Fax: 09 836 9168
18 Paramount Drive, Henderson, Auckland, New Zealand
www.lkk.co.nz sales@lkk.co.nz

LKK Food Equipment Aust Pty Ltd (Australia)

Free phone: 1300 655 715 Fax: 02 8587 0033
47 George St, Clyde, Sydney NSW 2142, Australia
www.lkk.com.au sales@lkk.com.au